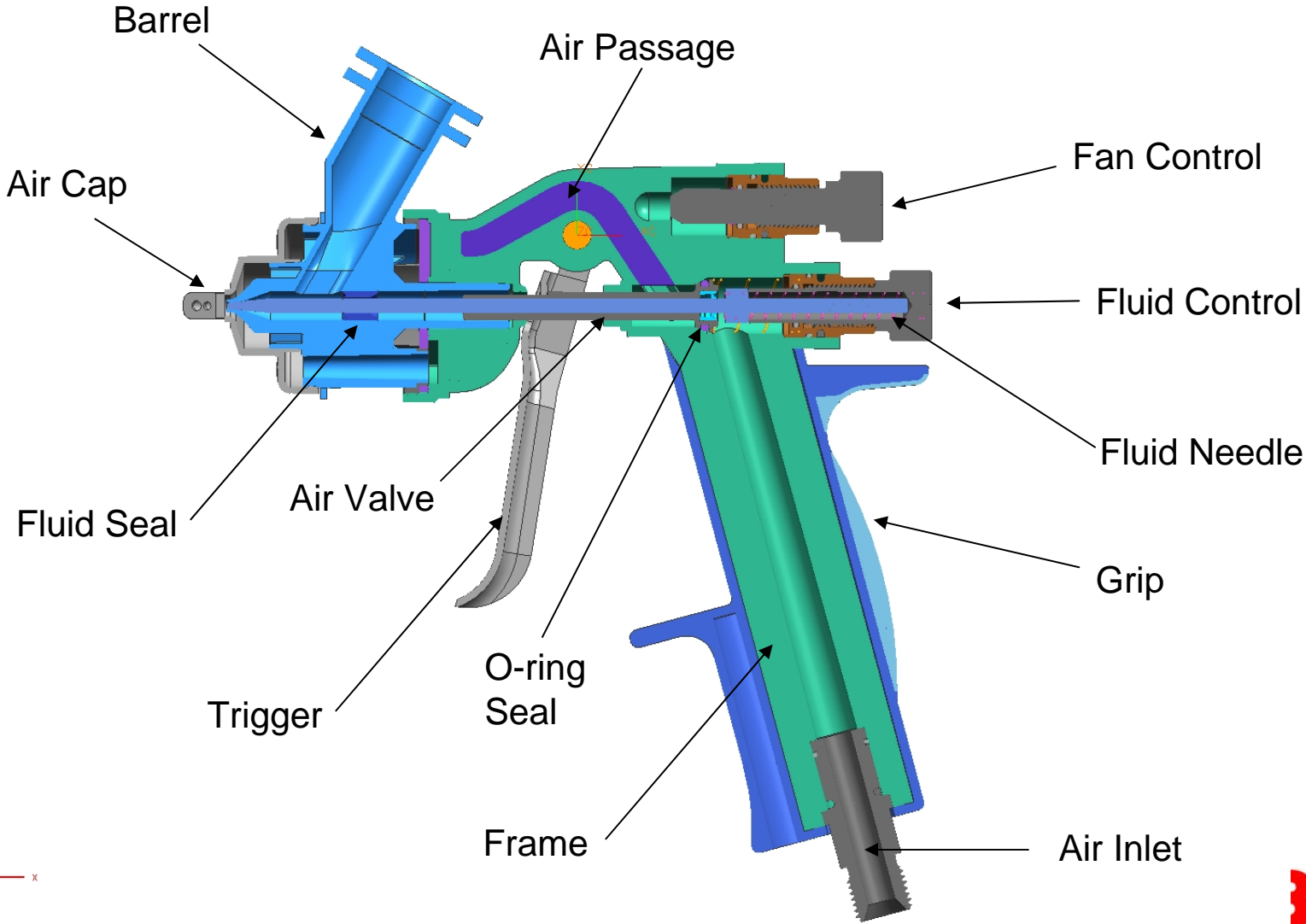
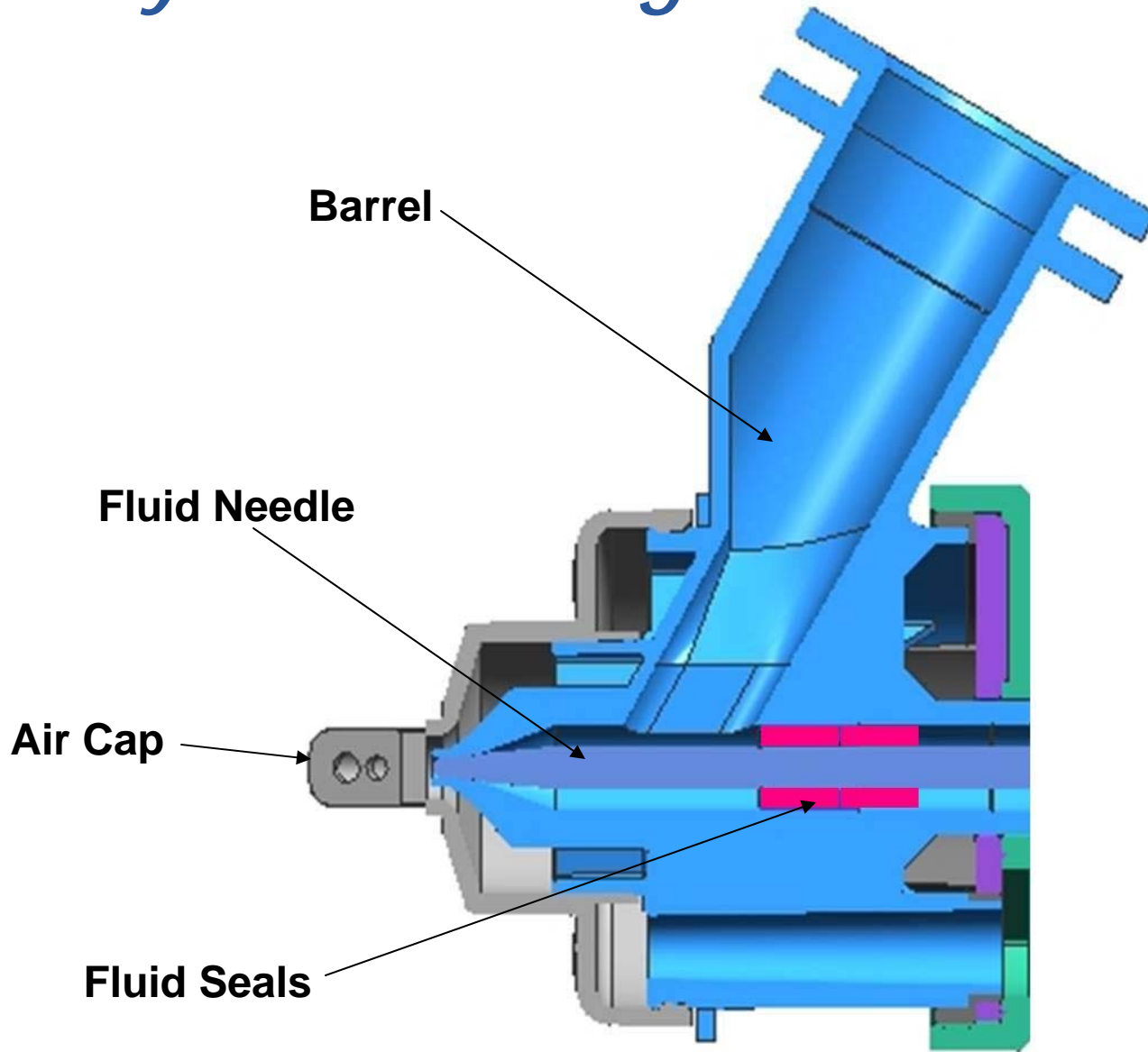


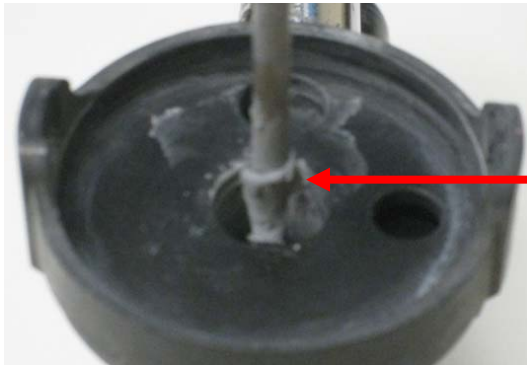
Cutaway of HG09 Spray Gun



Cutaway of Atomizing Head



Pictures of real ruined gun and nozzle



Buildup of primer on Needle due to a failure of seal in Atomizing Head



Leaking of material due to a failure of seal In Atomizing Head



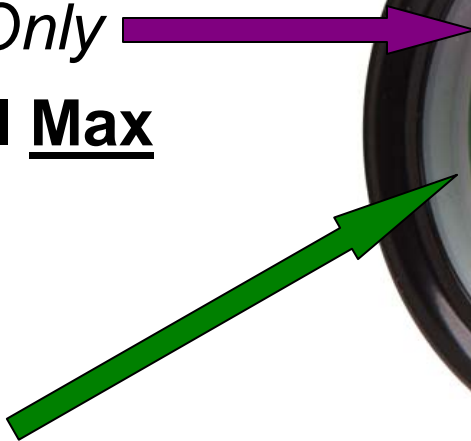
GO on GREEN!



First Stage **Purple**

Air Only

30 PSI Max



Second Stage **Green**

Air and Fluid

20 PSI Max



Tool for measuring shop air pressure

